

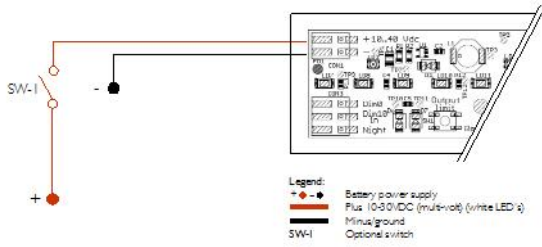
Dutch Electro

transport lighting

Wiring
instructions
27 LED
module

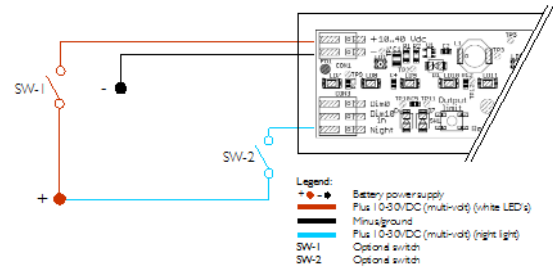


White LED's



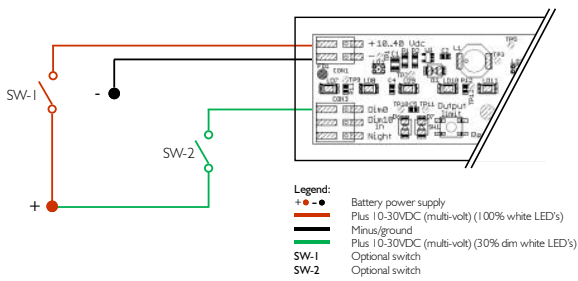
Page 4

White LED's + night light



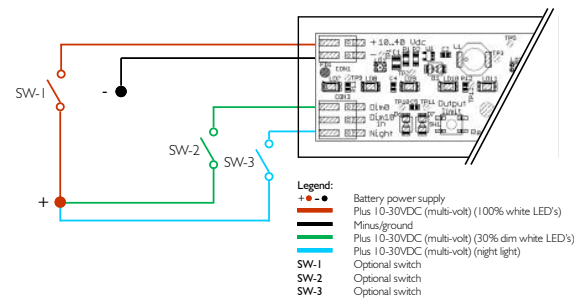
Page 5

White LED's + 30% dim position



Page 6

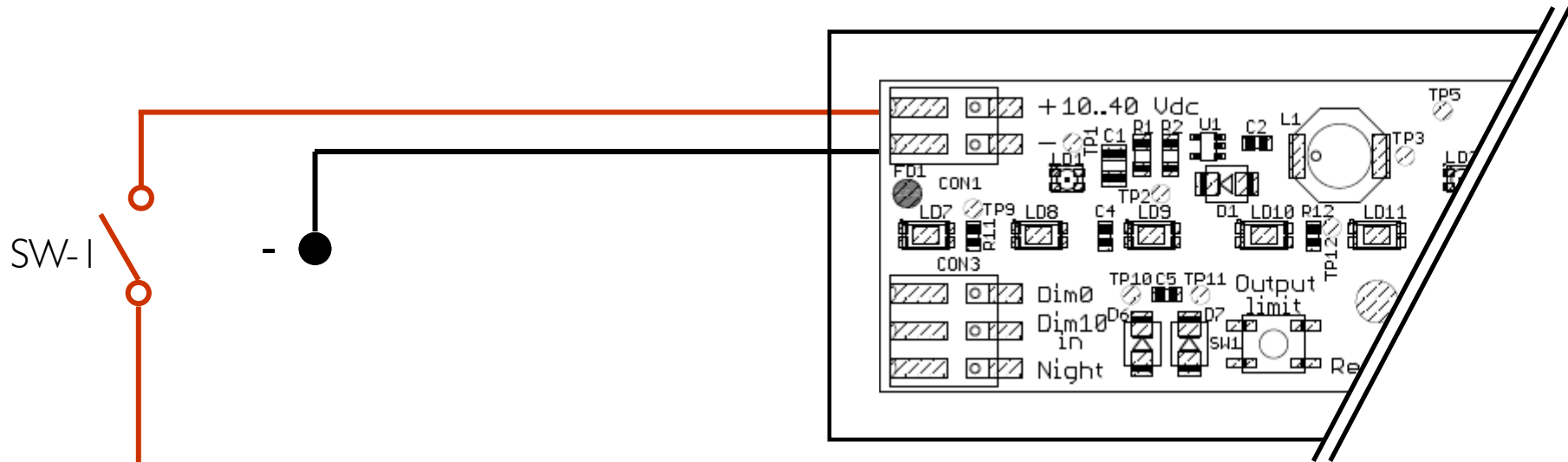
White LED's + 30% dim position + night light



Page 7

Wiring instructions 27 LED

White LED's

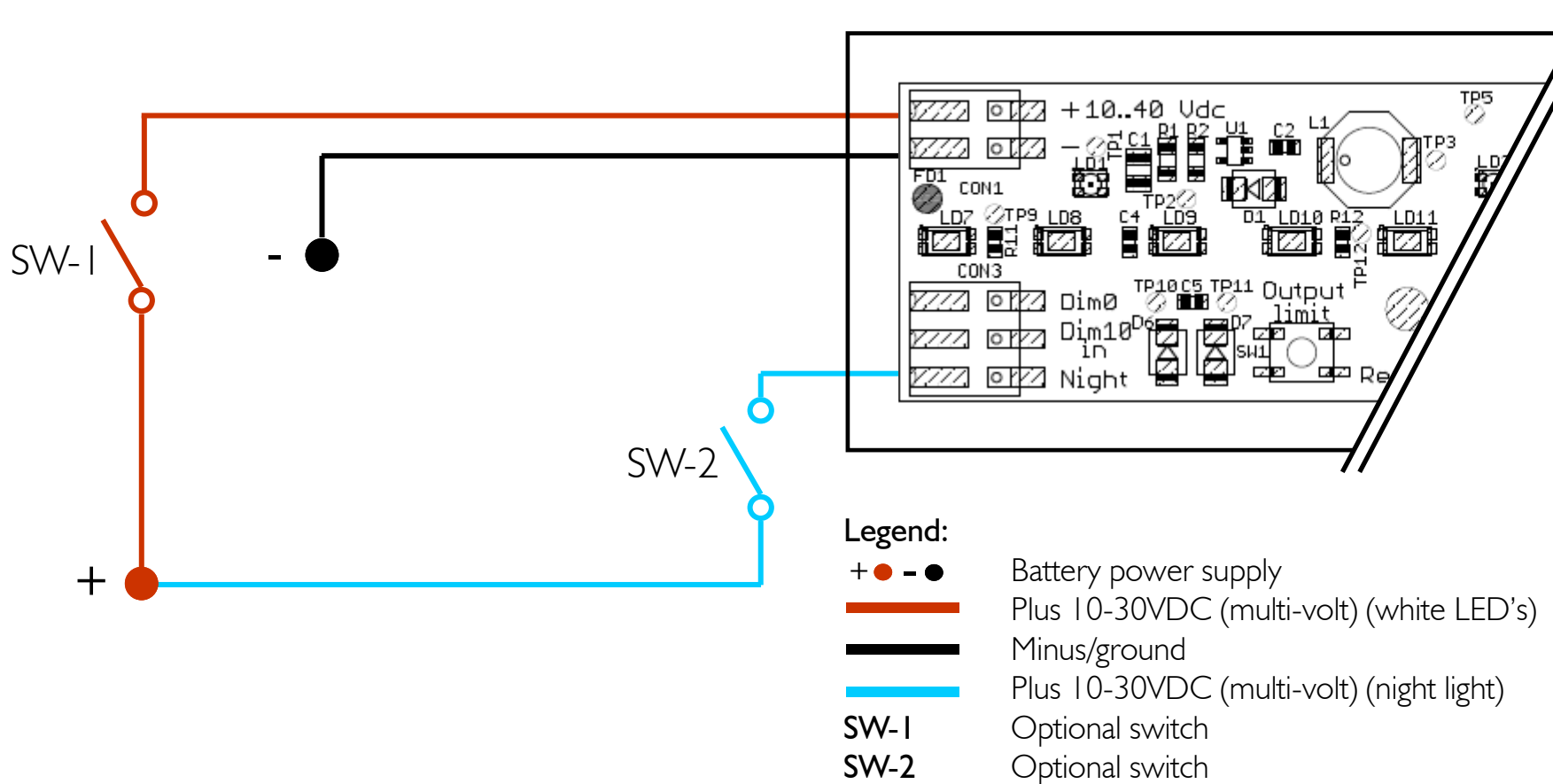


Legend:

- + ● - ● Battery power supply
- Plus 10-30VDC (multi-volt) (white LED's)
- Minus/ground
- SW-I Optional switch

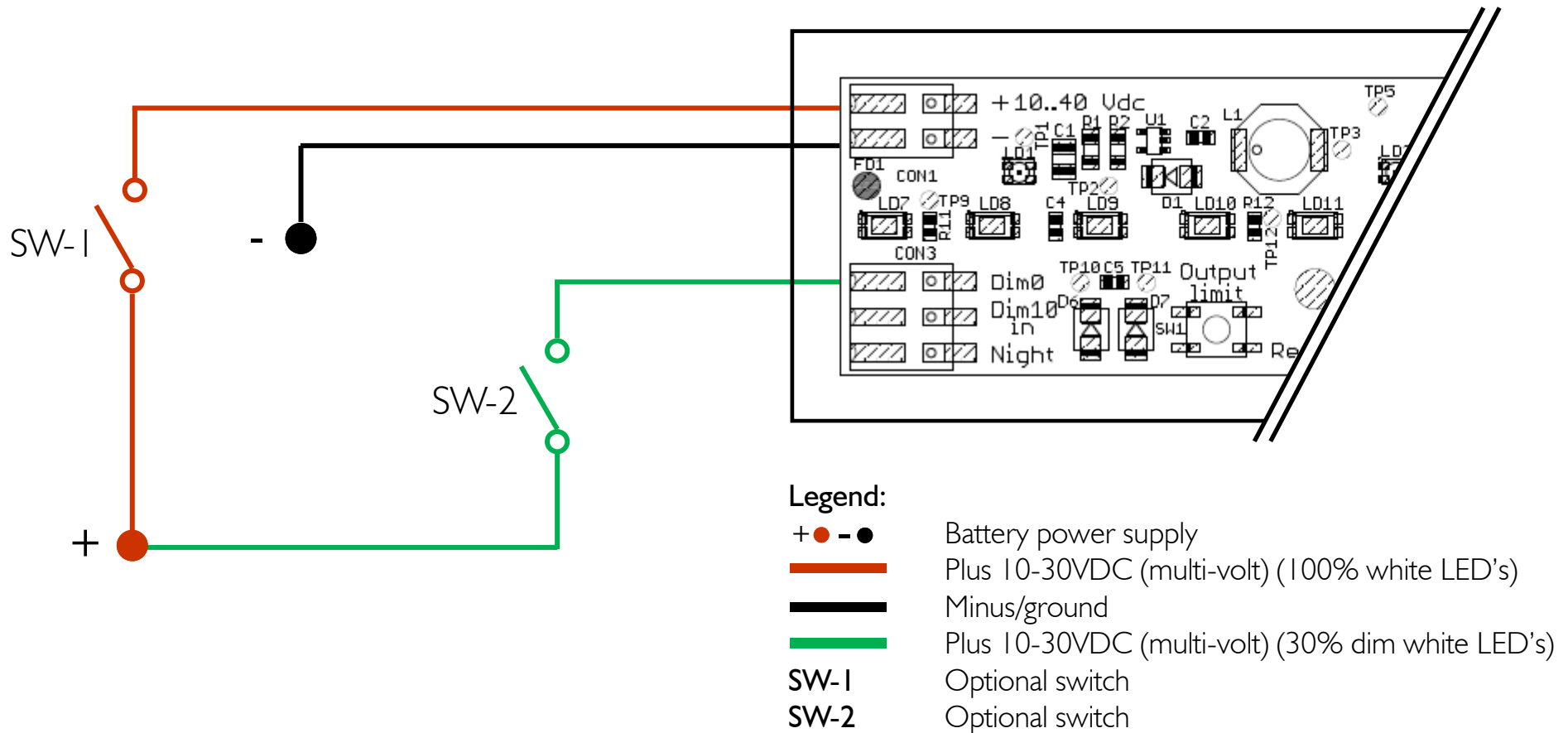
Wiring instructions 27 LED

White LED's + night light



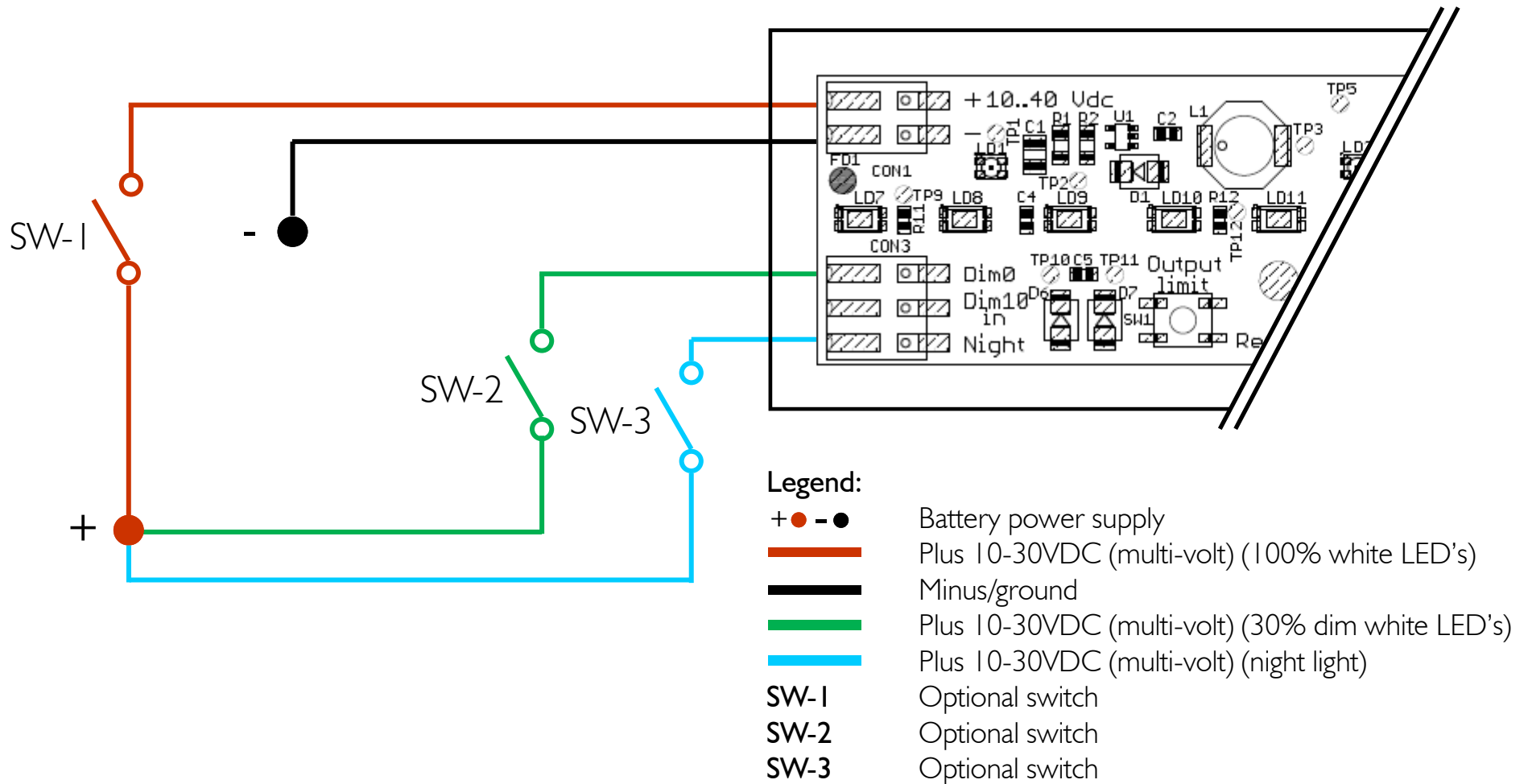
Wiring instructions 27 LED

White LED's + 30% dim position

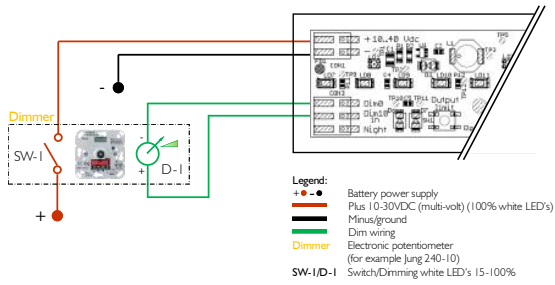


Wiring instructions 27 LED

White LED's + 30% dim position + night light

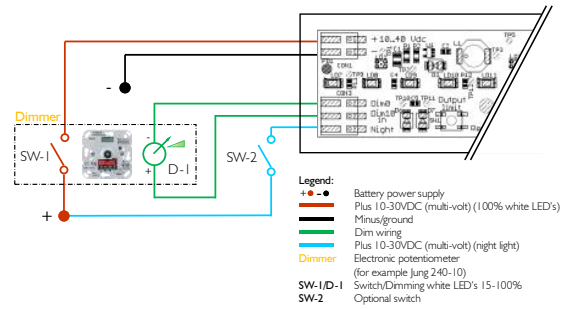


White LED's 15-100% dimmable
with electronic potentiometer



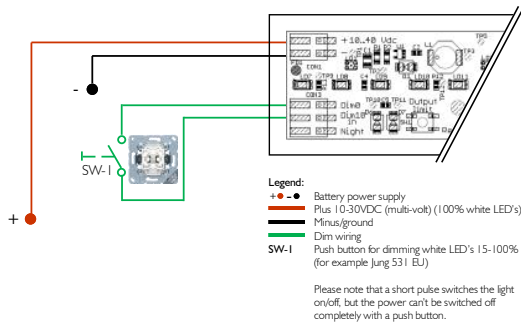
Page 9

White LED's 15-100% dimmable
with electronic potentiometer + night light



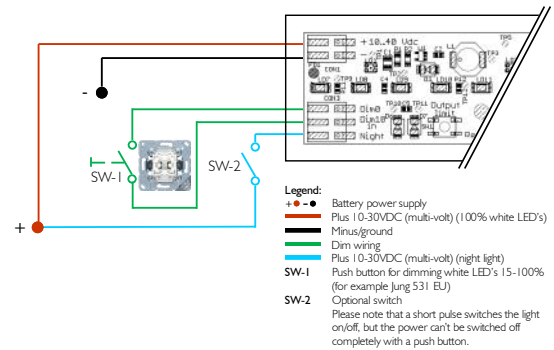
Page 10

White LED's 15-100% dimmable
with push button



Page 11

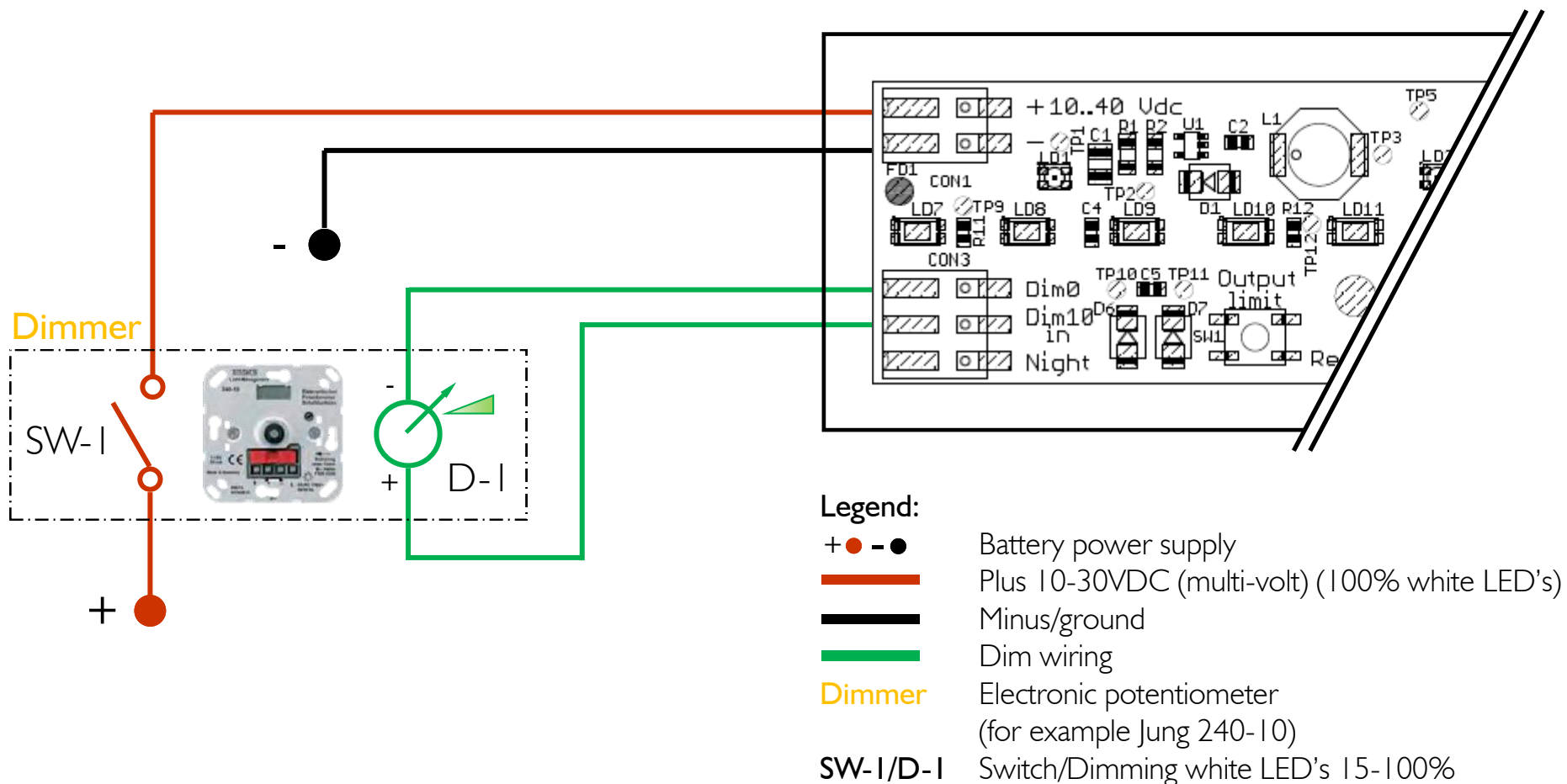
White LED's 15-100% dimmable
with push button + night light



Page 12

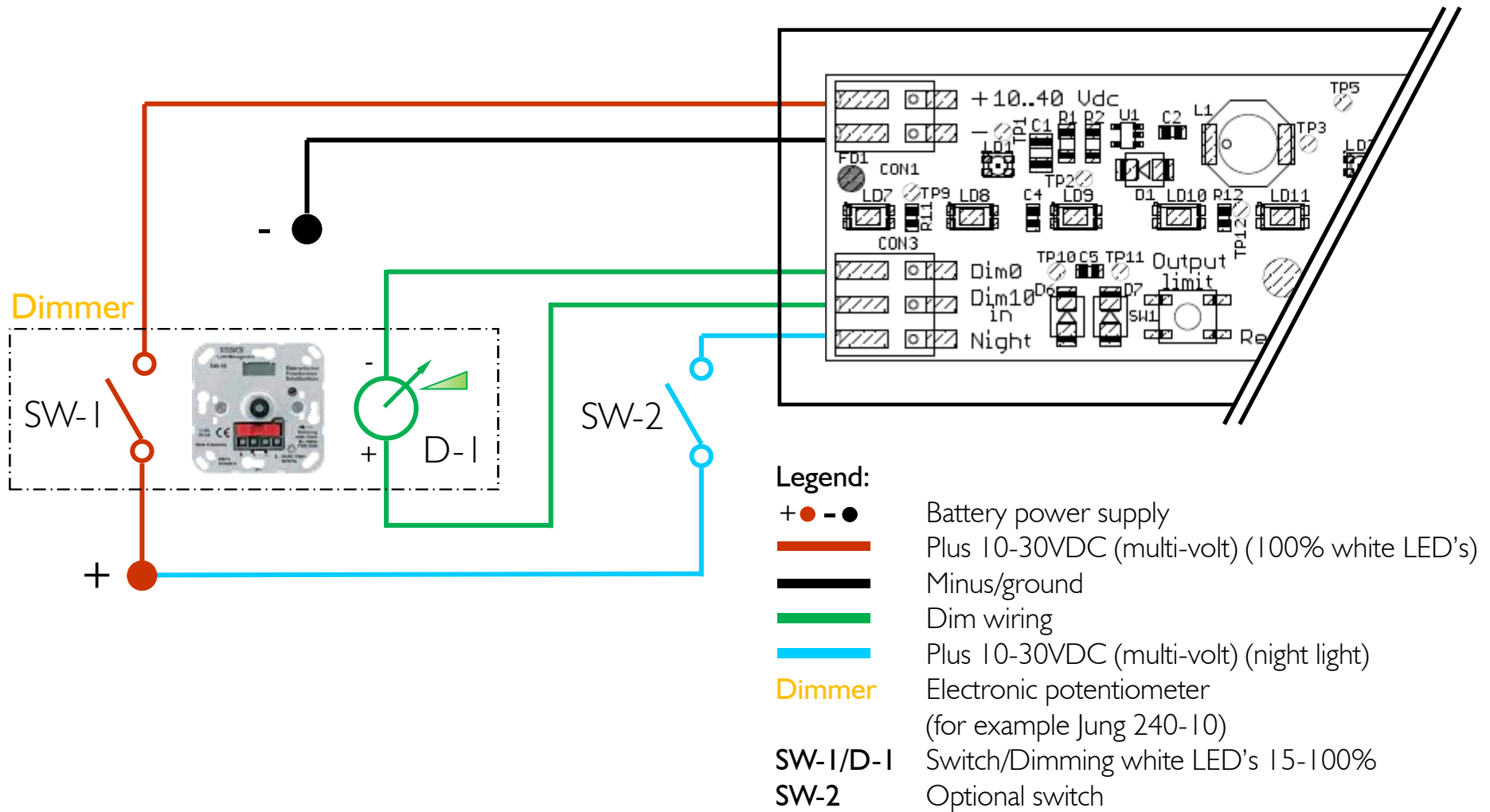
Wiring instructions 27 LED

White LED's + 15-100% dimmable with electronic potentiometer



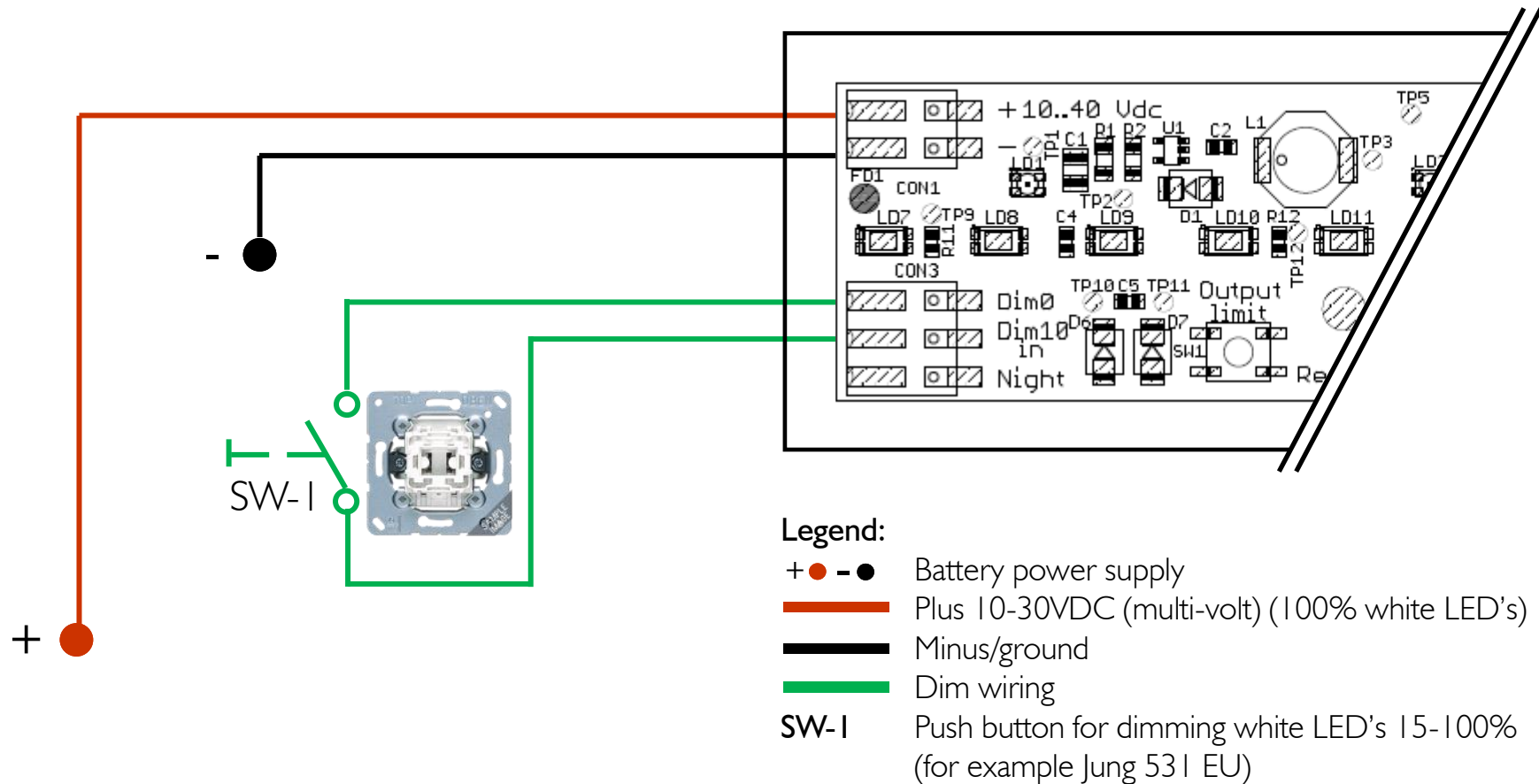
Wiring instructions 27 LED

White LED's + 15-100% dimmable with electronic potentiometer + night light



Wiring instructions 27 LED

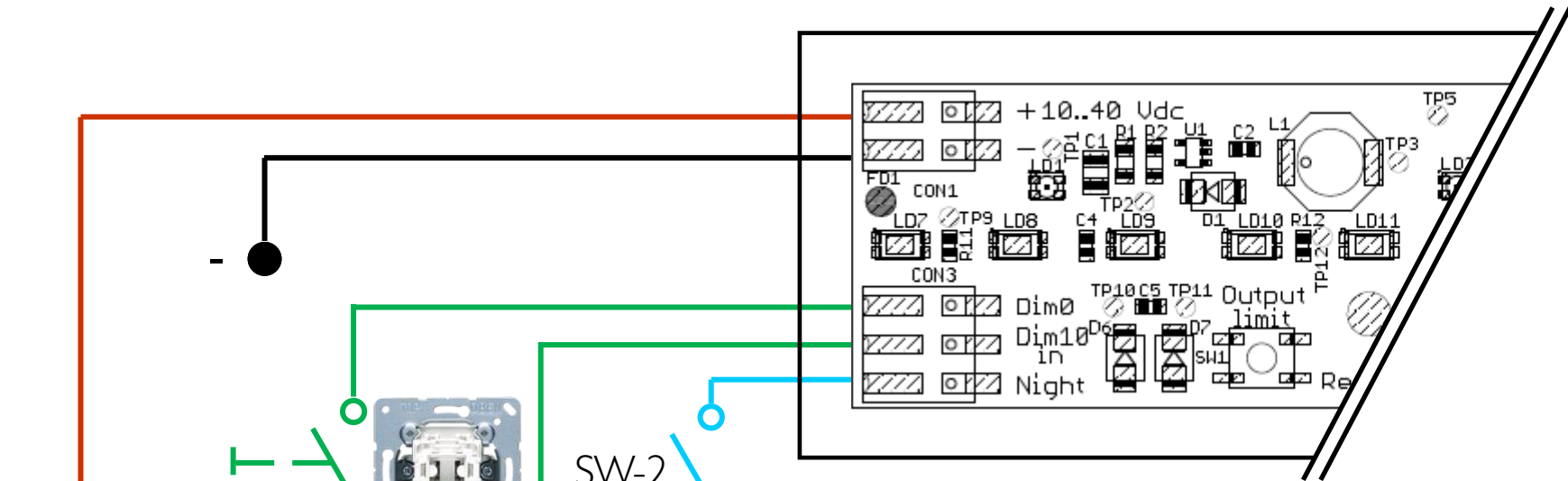
White LED's + 15-100% dimmable with push button



Please note that a short pulse switches the light on/off, but the power can't be switched off completely with a push button.

Wiring instructions 27 LED

White LED's + 15-100% dimmable with push button + night light



Legend:

- + ● - ● Battery power supply
- Plus 10-30VDC (multi-volt) (100% white LED's)
- Minus/ground
- Dim wiring
- Plus 10-30VDC (multi-volt) (night light)
- SW-1 Push button for dimming white LED's 15-100% (for example Jung 53 I EU)
- SW-2 Optional switch
Please note that a short pulse switches the light on/off, but the power can't be switched off completely with a push button.